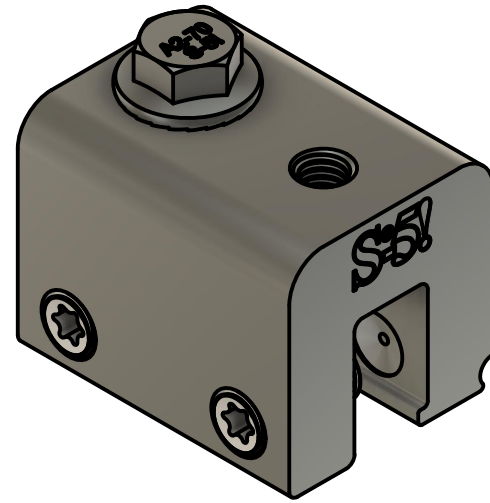
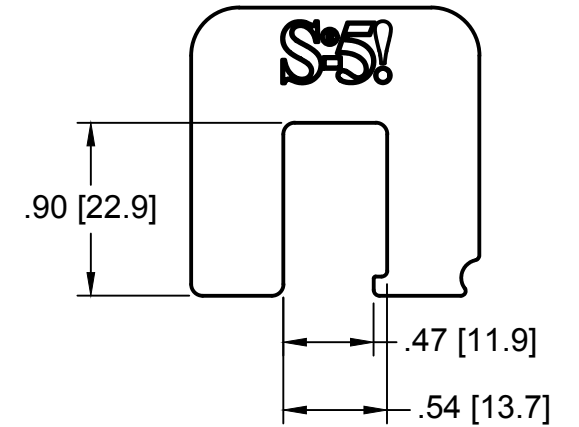
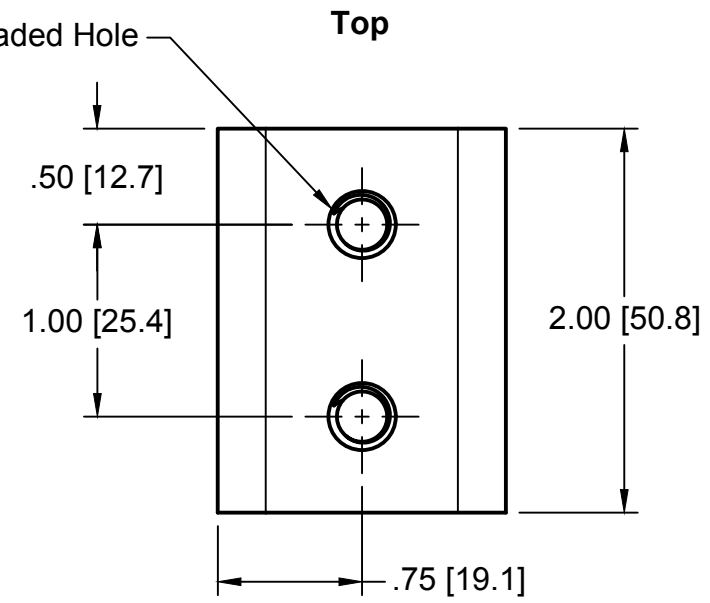


S-5-V

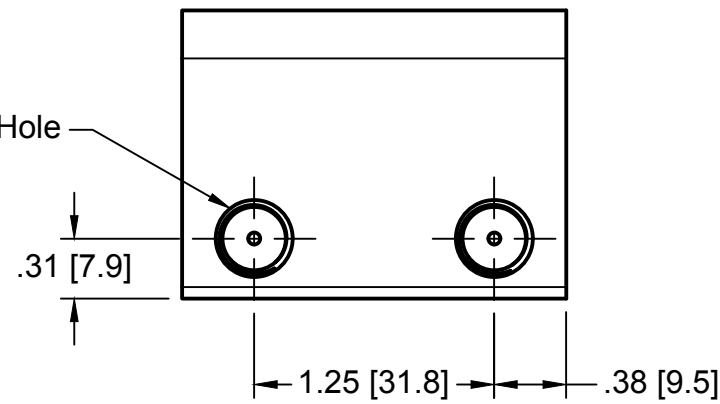


(2x) M8-1.25 Threaded Hole

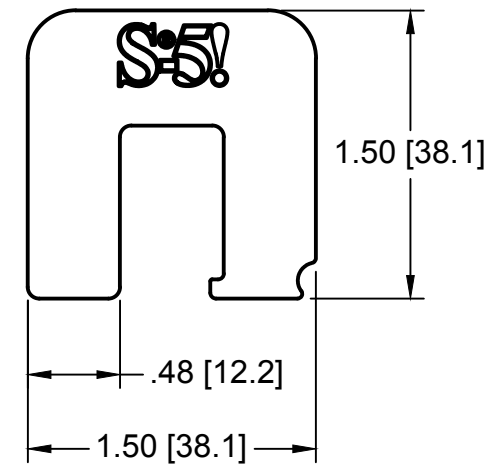


Left

(2x) 3/8-24 Threaded Hole

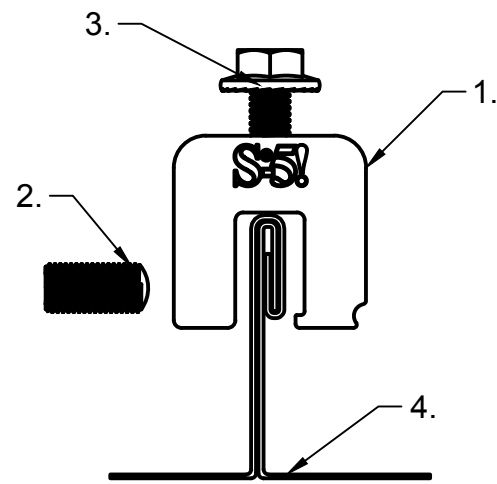


Front



General Notes:

1. S-5-V
2. 0.9" 3/8-24 T30 Drive SetScrew
4. M8-1.25 16 mm Bolt
5. Example roof



MATERIAL:
6000 Series AL
EST ASSEMBLY WT:
0.360 lbs
HARDWARE:
0.9" 3/8-24 T30 Drive SetScrew, M8-1.25 16mm Bolt



METAL ROOF INNOVATIONS, LTD.
8750 WALKER RD
COLORADO SPRINGS, CO 80908
719-495-0518
719-495-0045 (FAX)

TITLE S-5-V [CCD]
DRAWING NO. V07-A-0-E DRAWN BY SNLR DATE 3/15/2022
SCALE 1:1 FILE NAME V07-A-0-E (S-5-V) [CCD]

S-5!® PRODUCTS ARE PROTECTED BY MULTIPLE U.S. AND FOREIGN PATENTS.
VISIT OUR WEBSITE AT WWW.S-5.COM FOR COMPLETE INFORMATION ON
PATENTS AND TRADEMARKS