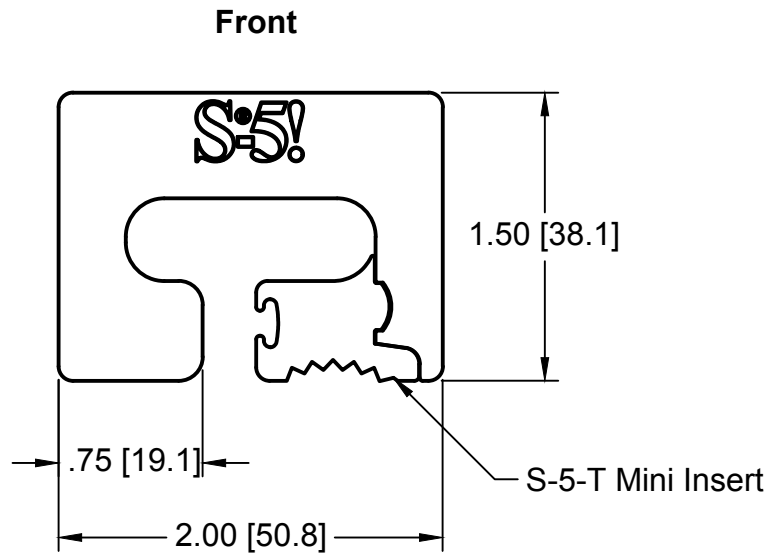
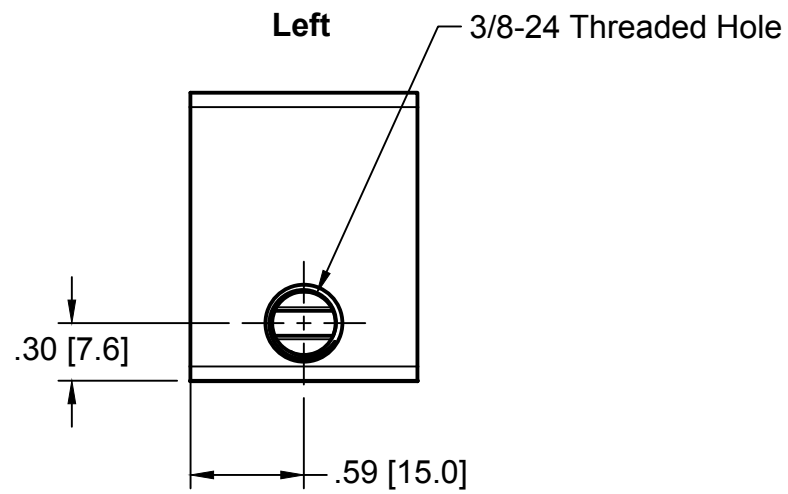
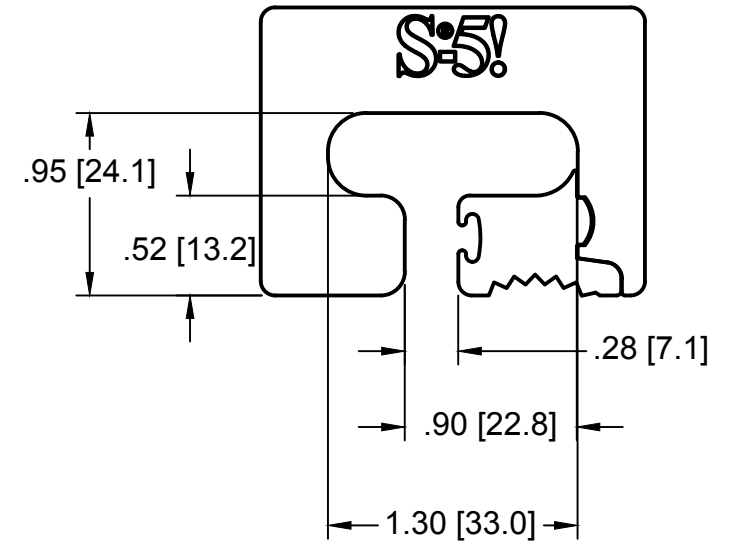
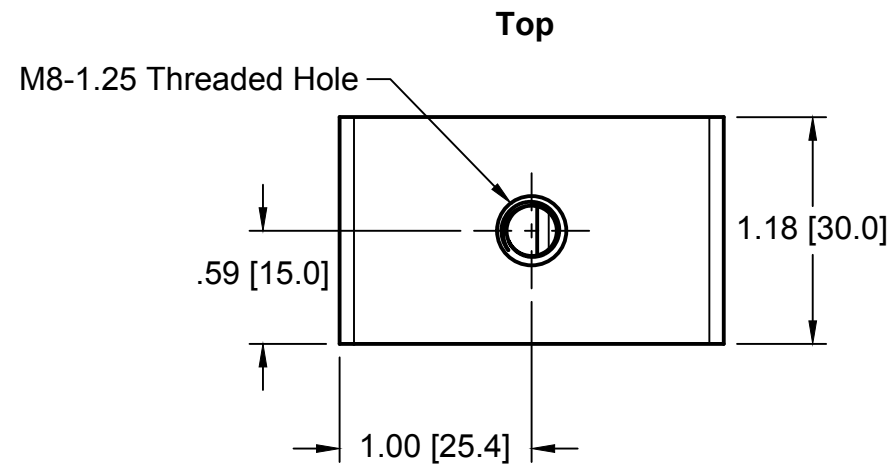
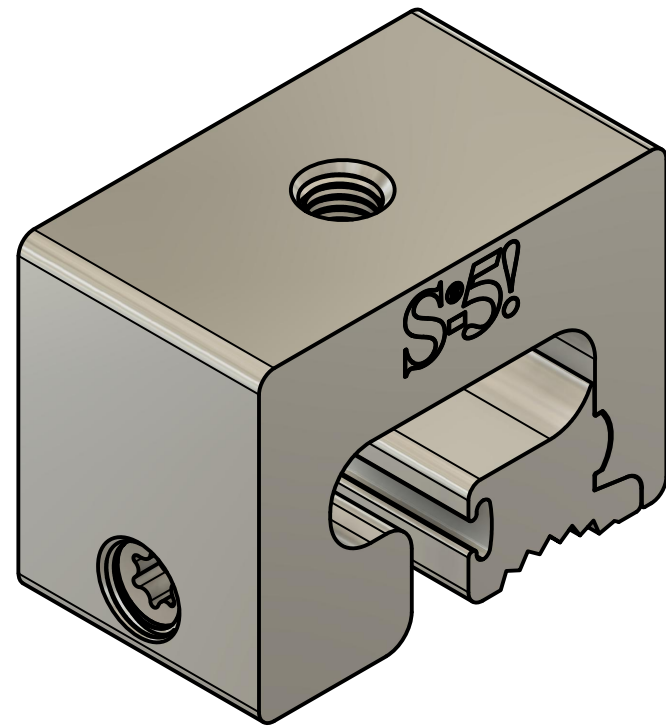
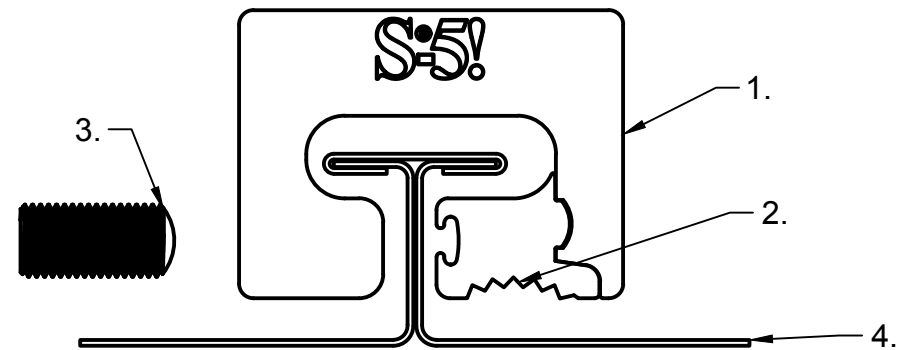


S-5-T Mini



General Notes:

1. S-5-T Mini
2. S-5-T Mini Insert
3. 0.9" 3/8-24 T30 Drive SetScrew
4. Example roof



MATERIAL:
6000 Series AL
EST ASSEMBLY WT:
0.27 lbs
HARDWARE:
0.9" 3/8-24 T30 Drive SetScrew



METAL ROOF INNOVATIONS, LTD.
8750 WALKER RD
COLORADO SPRINGS, CO 80908
719-495-0518
719-495-0045 (FAX)

TITLE S-5-T MINI [CCD]
DRAWING NO. T09-A-25-A DRAWN BY SNLR DATE 3/2/2022
SCALE 1:1 FILE NAME T09-A-25-A (S-5-T MINI) [CCD]

S-5!® PRODUCTS ARE PROTECTED BY MULTIPLE U.S. AND FOREIGN PATENTS.
VISIT OUR WEBSITE AT WWW.S-5.COM FOR COMPLETE INFORMATION ON
PATENTS AND TRADEMARKS