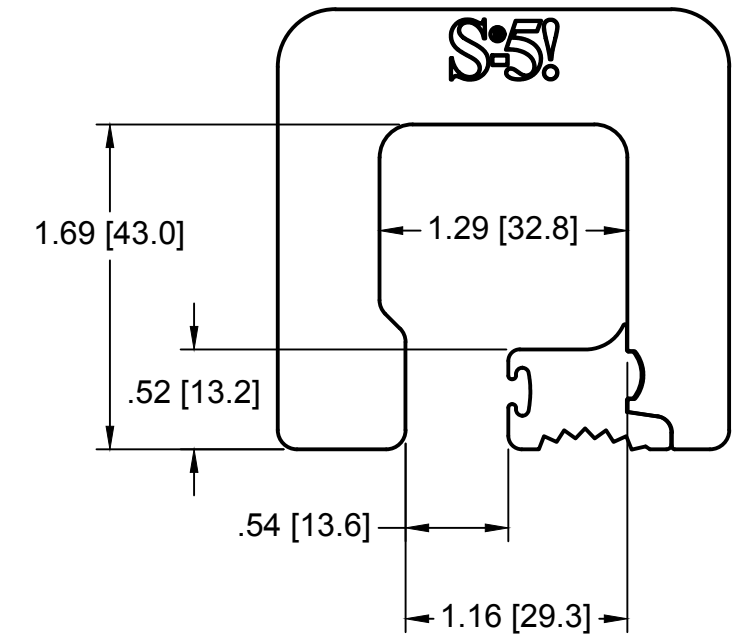
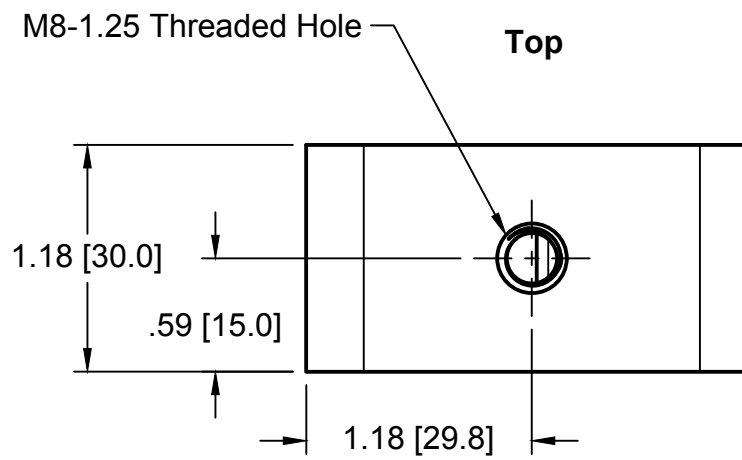
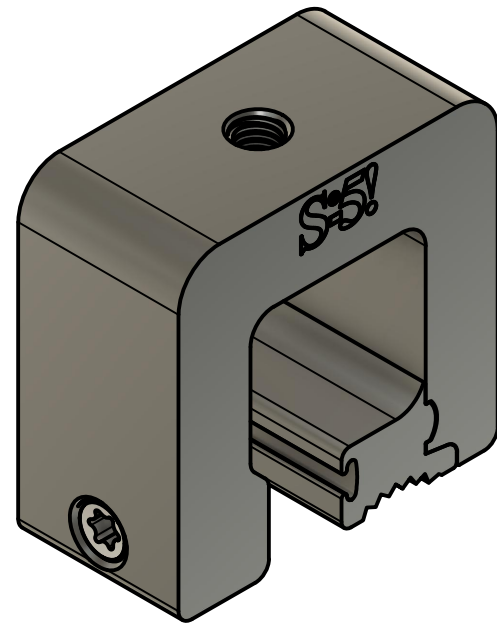
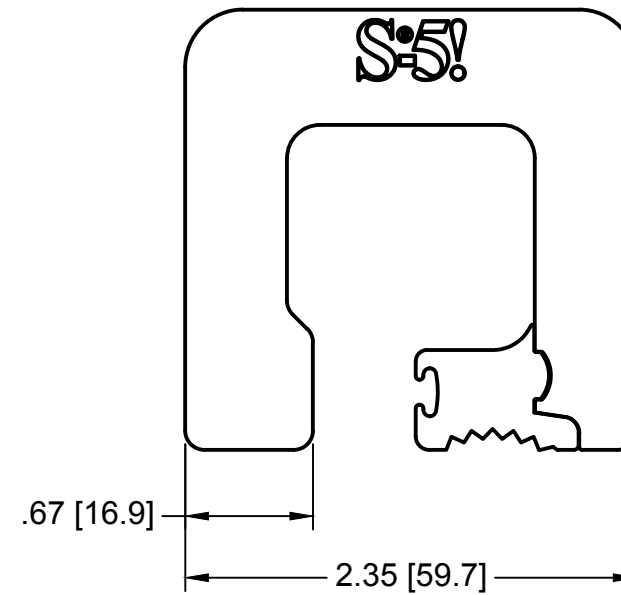
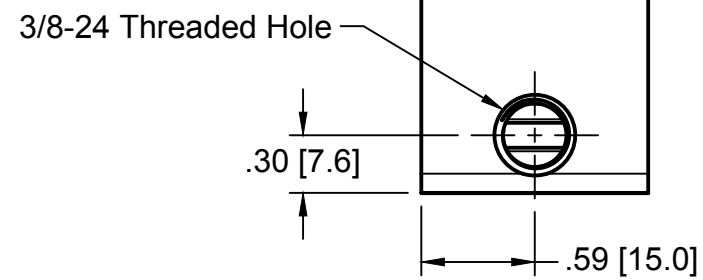


S-5-Q Mini



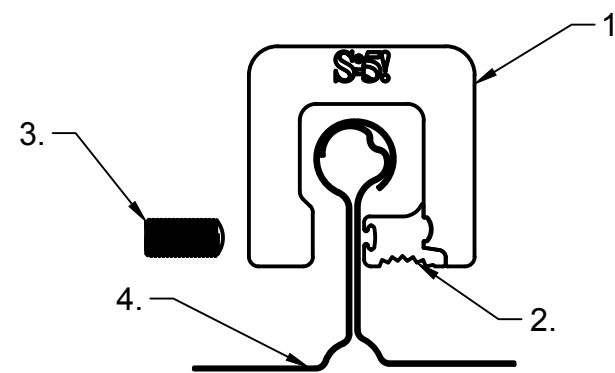
Left

Front



General Notes:

1. S-5-Q Mini
2. S-5-Q Mini Insert
3. 0.9" 3/8-24 T30 Drive SetScrew
4. Example roof



MATERIAL:
6000 Series AL
EST ASSEMBLY WT:
0.015 lbs
HARDWARE:
0.9" 3/8-24 T30 Drive SetScrew



METAL ROOF INNOVATIONS, LTD.
8750 WALKER RD
COLORADO SPRINGS, CO 80908
719-495-0518
719-495-0045 (FAX)

TITLE: S-5-Q MINI [CCD]
DRAWING NO. Q03-A-25-A | DRAWN BY SNLR | DATE 3/1/2022
SCALE 1:1 | FILE NAME Q03-A-25-A (S-5-Q MINI) [CCD]

S-5!® PRODUCTS ARE PROTECTED BY MULTIPLE U.S. AND FOREIGN PATENTS.
VISIT OUR WEBSITE AT WWW.S-5.COM FOR COMPLETE INFORMATION ON
PATENTS AND TRADEMARKS